

High Volume Air Control Operating & Installation Instructions

IMPORTANT SAFETY INSTRUCTIONS READ AND FOLLOW ALL INSTRUCTIONS SAVE THESE INSTRUCTIONS

WARNING

Do not operate this spa/tub if the air control knob is missing or damaged. Use of the spa/tub with air control missing or damaged can cause entrapment which will result in serious bodily injury.

WARNING

When the spa/tub is in operation, suction is created at this fitting. Users of this spa/tub must be instructed and warned not to block this fitting orifice. Blocking the fitting can result in entrapment which can cause serious bodily injury.

WARNING

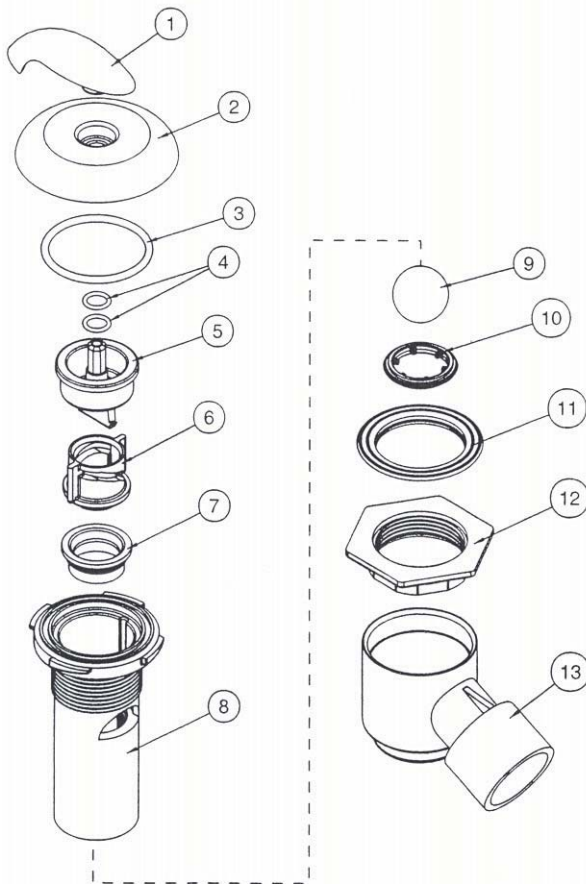
This is a PVC to PVC connection. Improper gluing or improper cement selection can cause leaks at glued connections which can result in property damage.

Standard Installation

1. Locate and cut a 1 5/8 in. hole in the spa. Be sure the area located is flat and the surface is clean.
2. Insert the air control through the drilled hole with the supplied gasket located between the spa top surface and the air control body. Silicone can be used, but not required.
3. Install the nut on the air control body from under the spa top flange. Tighten until the air control is firmly in place.
4. The control lever can now be removed from the center shaft and set back on the shaft at eight different angle positions. Return the lever to the position that allows the lever to open and close from at the desired position for operation from the spa.
5. Glue the 1 in. pipe into the air control socket. Use caution during the gluing process to not use excessive amounts of glue. Excessive glue will block the operation of the air control.

Blower Assist Tee Installation for Full Foam Spa Designs

1. Locate and cut a 1 5/8 in. hole in the spa. Be sure the area located is flat and the surface is clean.
2. Insert the air control through the drilled hole with the supplied gasket located between the spa top surface and the air control body. Silicone can be used, but not required.
3. Install the nut on the air control body from under the spa top flange. Tighten until the air control is firmly in place.
4. The control lever can now be removed from the center shaft and set back on the shaft at eight different angle positions. Return the lever to the position that allows the lever to open and close from at the desired position for operation from the spa.
5. Apply a small amount of glue to the top inside diameter of the blower assist tee. Make sure not to use excessive glue or the control will not operate.
6. Slide the blower assist tee over the air control body from under the spa flange with the 45° socket inlet facing away from the top of the spa.
7. Orient the 45° air intake socket to the desired position. Hold the tee in place until the glue sets up.
8. Glue the 1 in. inlet air pipe into the blower assist tee 45° socket. Next glue the 1 in. outlet air pipe, going to the jets, into the 1 in. socket in the end of the air control body. Use caution during the gluing process to not use excessive amounts of glue. Excessive glue will block the operation of the air control.



Product Number
9876XX

Parts List

Item No.	Part No.	Description
1.	900036XX	Handle
2.	900035XX	Lid
3.	90003700	O-ring - (#132)
4.	46911600	O-ring - (#012)
5.	90003411	Actuator
6.	90003311	Plunger
7.	90003200	Air Seal Gasket
8.	90003100	Body
9.	90003000	Polypro Ball
10.	948903	Lock Ring
11.	47069000	Gasket
12.	46916100	Nut
13.	90002900	Blower Assist Tee (Sold Separately)

SAVE THESE INSTRUCTIONS