

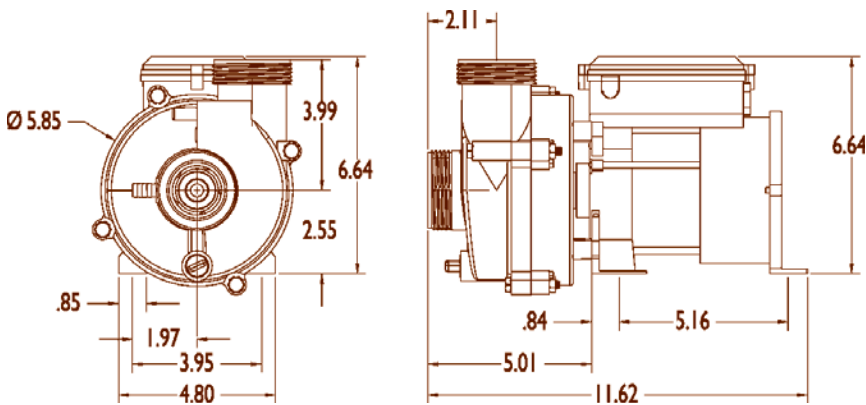
# Circulation SpaPump

Balboa Water Group circ pump combines the best of two technologies—the proven reliability of the Ultima pump wet end and the dynamic WOW motor that revolutionized the bath market. The high flow circ pump provides up to 67 gallons per minute flow while operating while drawing only 1 amp—that's equivalent to the power needed to illuminate a 100 watt bulb—so you can be sure your spa meets even the most stringent energy regulations while minimizing operating expenses for the owner. This pump is also very compact and easy to install in any configuration, a big plus in production since space is always at a premium.

## FEATURES

- All seals are carbon ceramic with Viton® elastomers for long-lasting performance, easily enduring prolonged heat and chemical exposure
- Available in 230V 60Hz motors for North America and 230V 50Hz TEFC motors for Europe
- Multi-directional volute mounting provides the flexibility to accommodate any plumbing configuration

Ease of installation, high flow rate and high efficiency...our circ pump provides significant advantages for everyone involved with your spa. Contact a Balboa representative today for additional information.



## OPTIONS

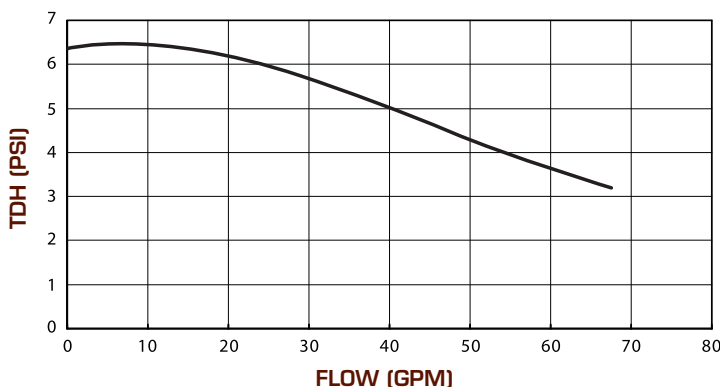
- 230V or 115V 60Hz motors for North America
- 230V 50Hz TEFC motors for Europe
- Class F insulation
- All spa pack or plug and play connection leads available

## SPECIFICATION

- Center suction / radial side discharge orientation or center top discharge
- Suction Port: 1.5" or 2"
- Discharge Port: 1.5" or 2"
- Mechanical Seal: Carbon ceramic with Viton elastomers

Plumbing configuration affects pump performance. Engineering consultation is available to help you find the best pump for all your spa needs.

60Hz PERFORMANCE CURVE USA Model



50Hz PERFORMANCE CURVE International Model

