

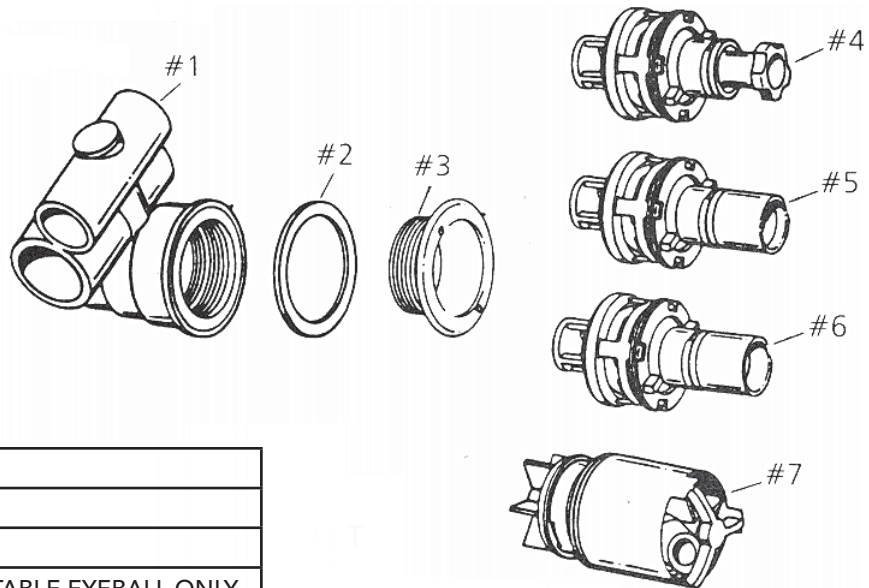
## CAGED FREEDOM SERIES INSTRUCTIONS

The correct hole size for Caged Freedom Series is 2-5/8".

1. Before drilling the hole(s) to install the jet(s), make sure mounting surface is flat. This will help assure the best seal.
2. The gasket (#2) can be placed on the inside or outside surface. Make sure surface is smooth enough to seal.
3. Before inserting the wall fitting (#3) thru the hole, apply silicone to threaded area of WALL FITTING ONLY. This will help seal the wall fitting (#3) and jet (#1) together.
4. Tighten the wall fitting (#3) into the jet (#1) hand tight. Be sure gasket is in place before tightening. The gasket and silicone will create a good seal.

**CAUTION: DO NOT APPLY ANY SILICONE INSIDE THE JET. THIS WILL INTERFERE WITH THE OPERATION OF THE JET.**

5. Remove excess silicone from inside the jet (# 1) and surface of the tub.
6. After the jets are installed, connect the plumbing. Be sure air lines are placed in sockets marked "AIR" and water lines are placed in sockets marked "WATER". Use care when applying cement inside sockets of the jets. If too much cement is used, it may be pushed down into air and water ports causing reduced jet performance/damage to the product.
7. Be sure air lines do not sag. If air lines sag, the jets may not aerate properly.
8. Run spa for fifteen minutes to clear debris from water lines.
9. Make sure spa is OFF. Insert therapy option (#4, #5, #6 or # 7) into jet threading clockwise until snug.
10. Restart system.



#1	10-45XX	STACKED JET
#2	10-5847	AFMKII GASKET
#3	10-5843BPL	WALL FITTING
#4	10-FS35A	FS CAGED ADJUSTABLE EYEBALL ONLY
#5	10-FS35W	FS CAGED WHIRLPOOL EYEBALL ONLY
#6	10-FS35D	FS CAGED DIRECTIONAL EYEBALL ONLY
#7	16-FS52M	FS CAGED MICRO'SSAGE ONLY